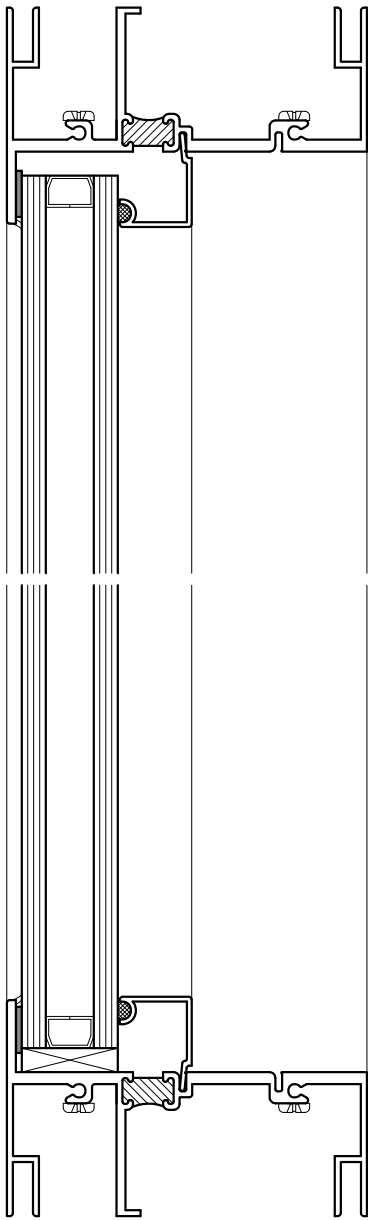
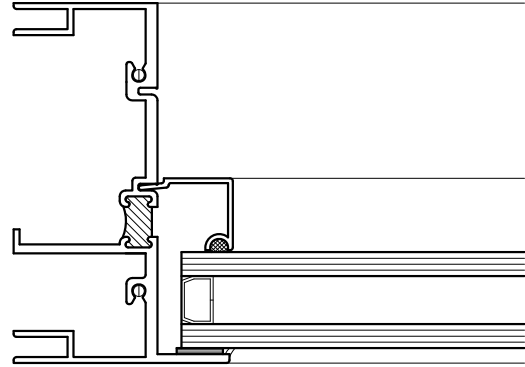


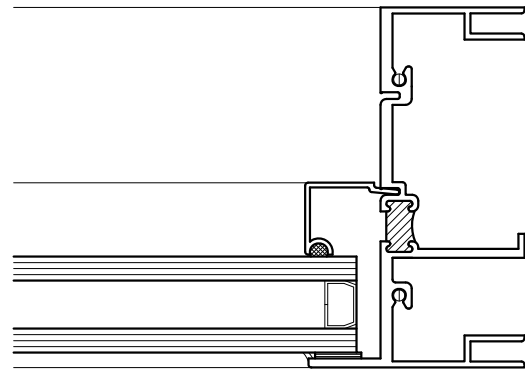
# HEAD



# SILL

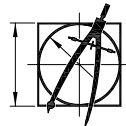


# LEFT JAMB



# RIGHT JAMB

DETAILS = HALF SIZE



**Litex**  
ARCHITECTURAL WINDOW SYSTEMS

2774 PRODUCT DR.  
ROCHESTER HILLS, MICHIGAN 48309  
(248)852-0661 FAX (248)852-0095  
ONLINE: [www.Litex.com](http://www.Litex.com)

JOB NAME: L500T FIXED - FLUSH FACED FRAME

DWN. BY:

DWG. NO.

SHEET

CUSTOMER:

DATE:

OF