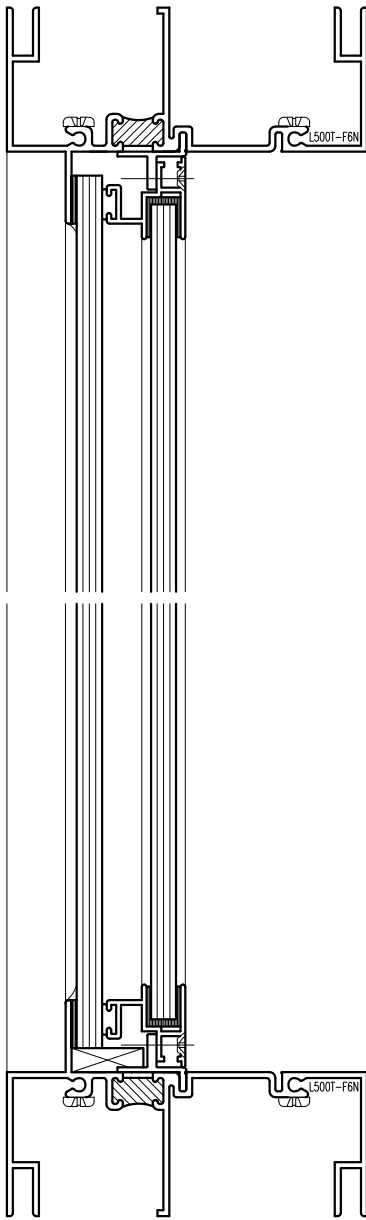
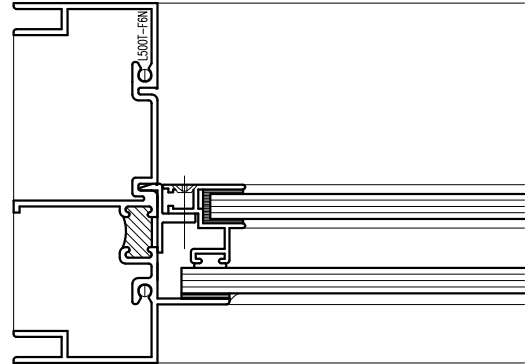


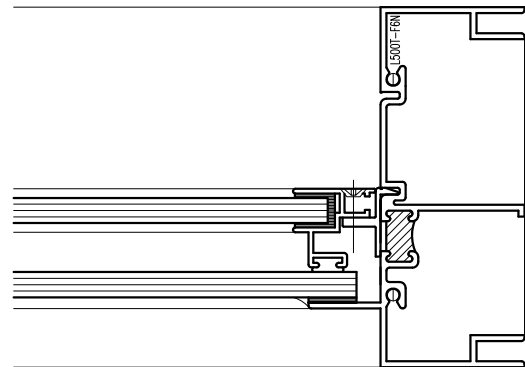
HEAD



SILL

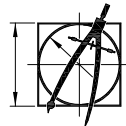


LEFT JAMB



RIGHT JAMB

DETAILS = HALF SIZE



Litex
ARCHITECTURAL WINDOW SYSTEMS

2774 PRODUCT DRIVE
ROCHESTER HILLS, MICHIGAN 48309
(248)852-0661 FAX (248)852-0095
ONLINE: www.Litex.com

JOB NAME: L500T FIXED - DUAL GLAZED

DWN. BY:

DWG. NO.

SHEET

CUSTOMER:

DATE:

OF