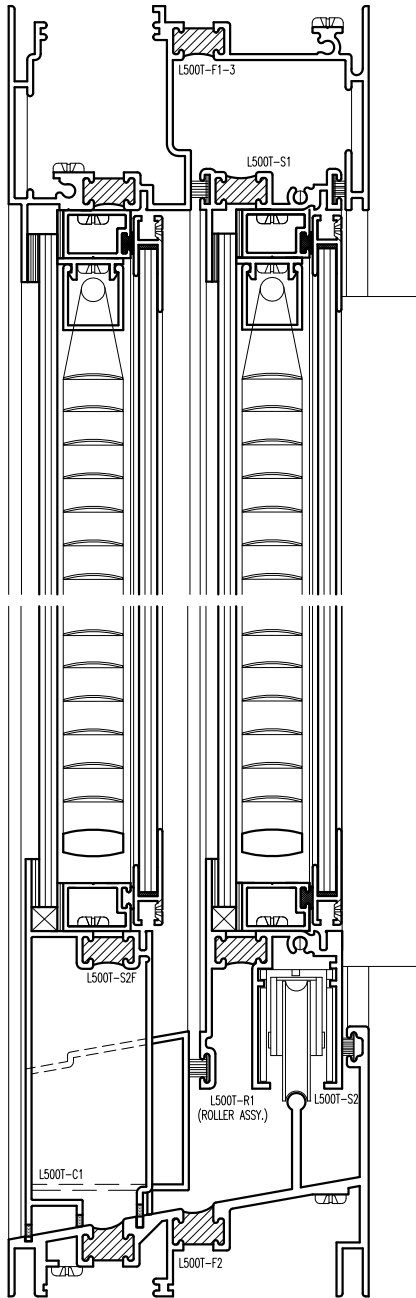
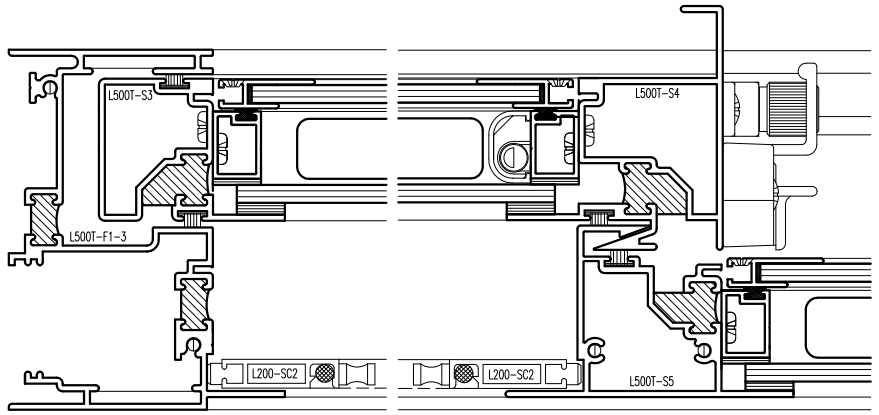


HEAD

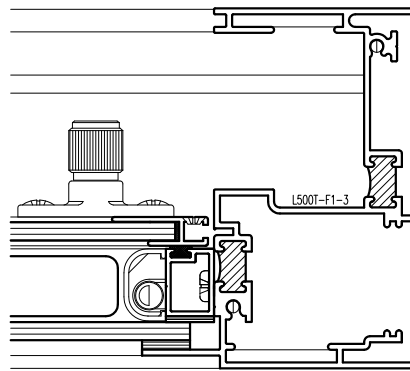


SILL



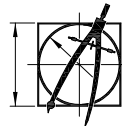
ACTIVE JAMB

HALF SLIDE INTERLOCK



INACTIVE JAMB

DETAILS = HALF SIZE



Litex
ARCHITECTURAL WINDOW SYSTEMS

2774 PRODUCT DR.
ROCHESTER HILLS, MICHIGAN 48309
(248)852-0661 FAX (248)852-0095
ONLINE: www.Litex.com

JOB NAME: L500T HORIZONTAL SLIDER - DUAL GLZ.
WITH BLINDS

CUSTOMER:

DWN. BY:

DATE:

DWG. NO.

SHEET

OF