

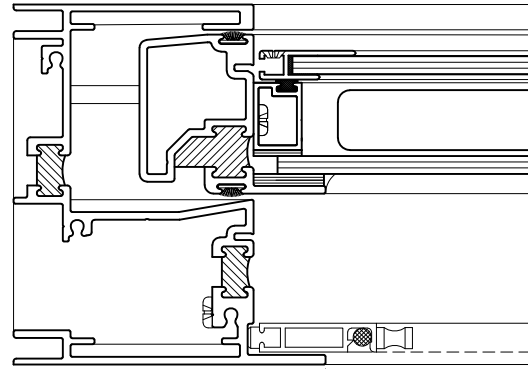
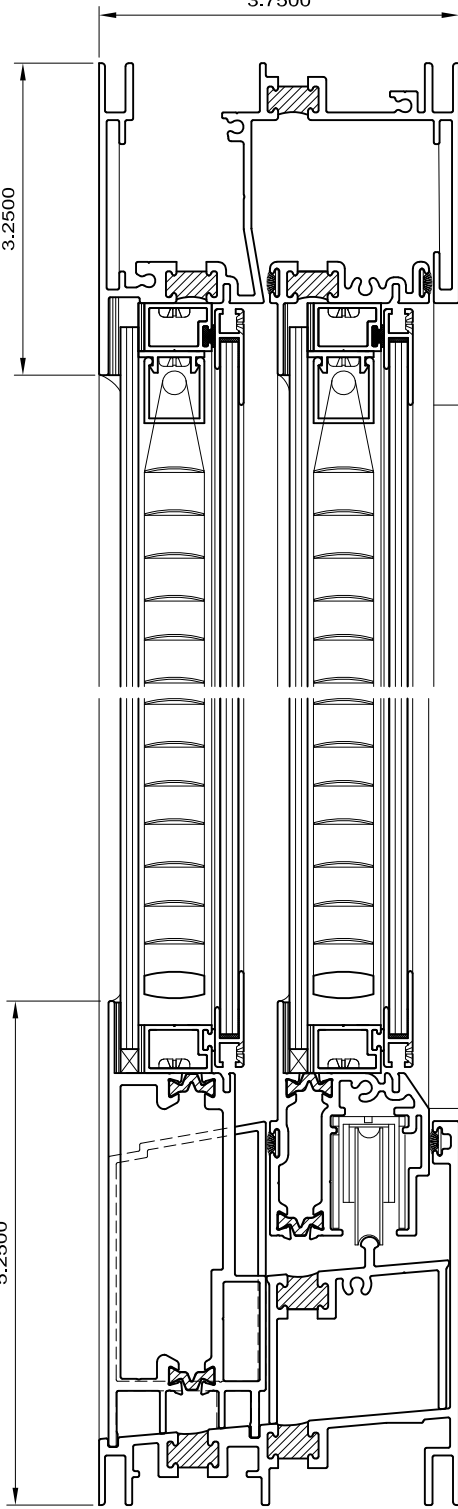
HEAD

3.2500

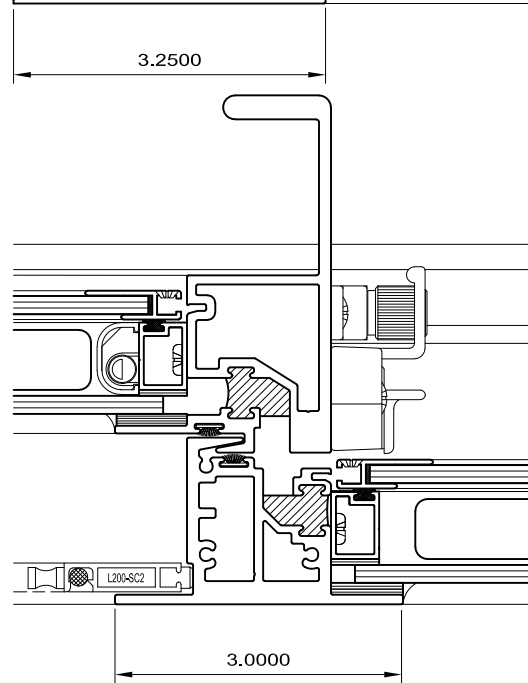
3.7500

SILL

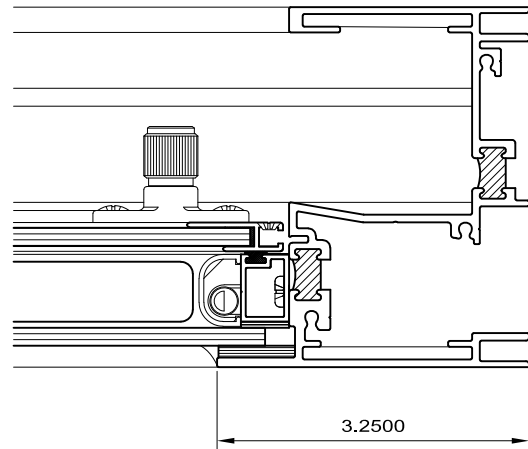
5.2500



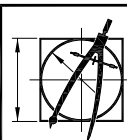
LEFT JAMB



INTERLOCK



RIGHT JAMB



Litex
ARCHITECTURAL WINDOW SYSTEMS

2774 PRODUCT DR.
ROCHESTER HILLS, MICHIGAN 48309
(248)852-0661 FAX (248)852-0095
ONLINE: www.Litex.com

JOB NAME: L550 HORIZONTAL SLIDER WITH BLINDS	DWN. BY:	DWG. NO.	SHEET OF
CUSTOMER:	DATE:		