

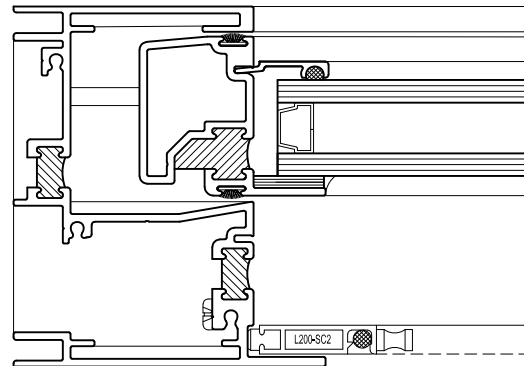
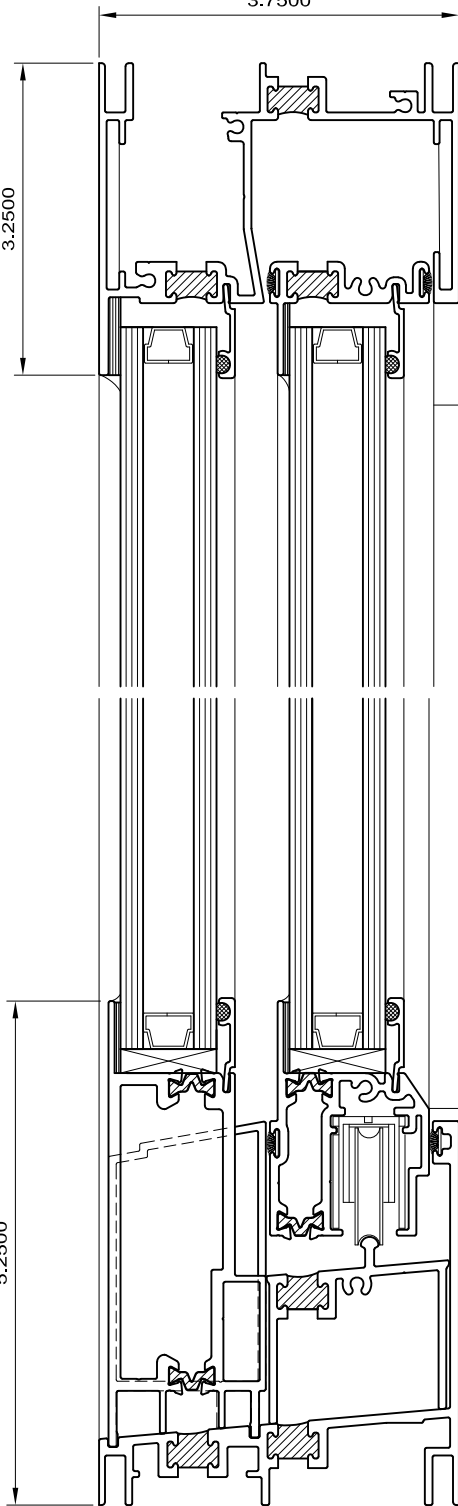
HEAD

3.2500

3.7500

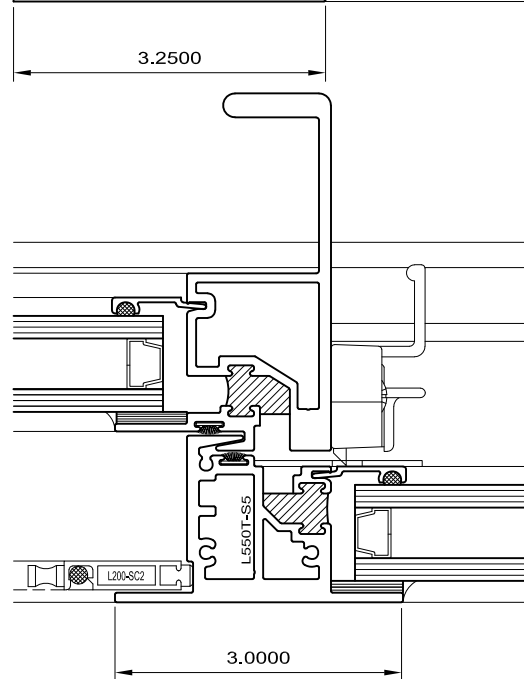
SILL

5.2500



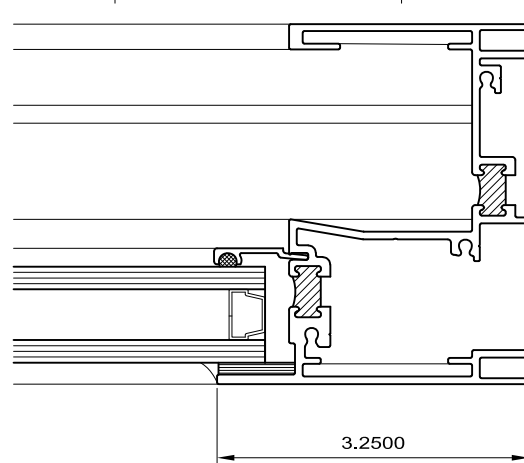
LEFT JAMB

3.2500



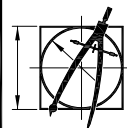
INTERLOCK

3.0000



RIGHT JAMB

3.2500



Litex
ARCHITECTURAL WINDOW SYSTEMS

2774 PRODUCT DR.
ROCHESTER HILLS, MICHIGAN 48309
(248)852-0661 FAX (248)852-0095
ONLINE: www.Litex.com

JOB NAME: L550 HORIZONTAL SLIDER	DWN. BY:	DWG. NO.	SHEET
CUSTOMER:	DATE:		OF