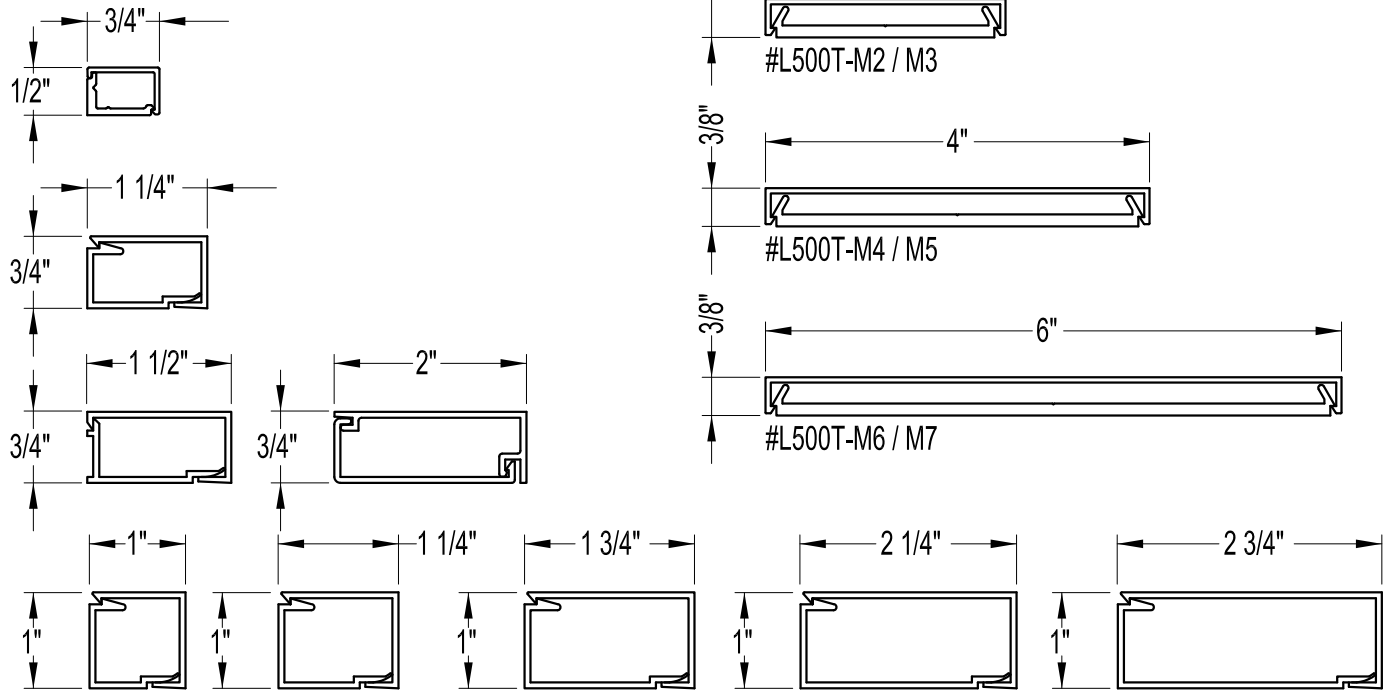
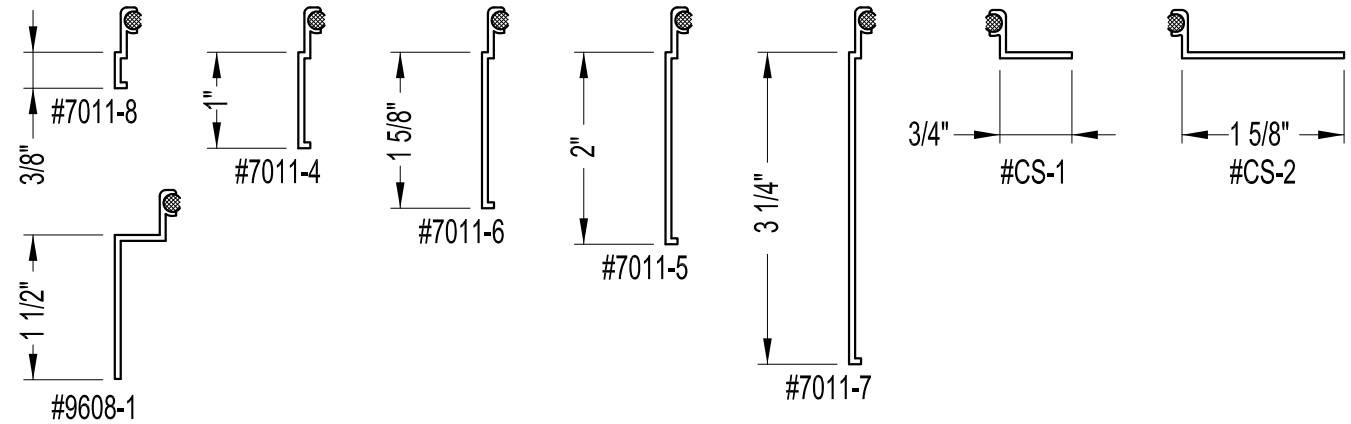


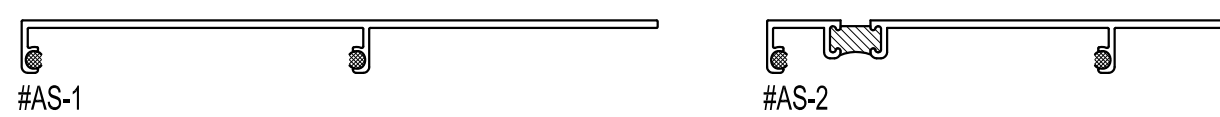
STANDARD SNAP TRIMS



STANDARD FRAME EXTENDERS



STANDARD ANCHOR STRAPS



DETAILS = HALF SIZE

Litex
ARCHITECTURAL WINDOW SYSTEMS

2774 PRODUCT DR.
ROCHESTER HILLS, MICHIGAN 48309
(248)852-0661 FAX (248)852-0095
ONLINE: www.Litex.com

JOB NAME: SNAP TRIMS, FRAME EXTENDERS & ANCHOR STRAPS	DWN. BY:	DWG. NO.	SHEET
CUSTOMER:	DATE:		OF