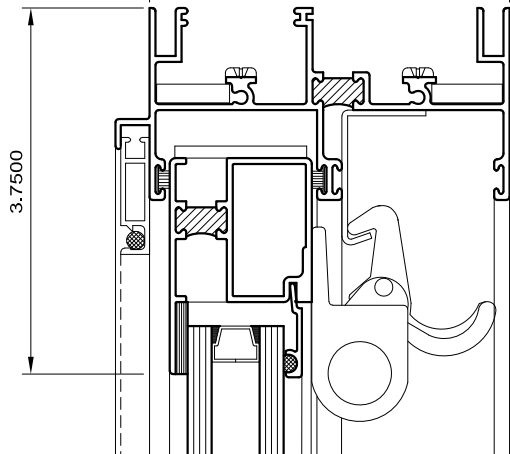
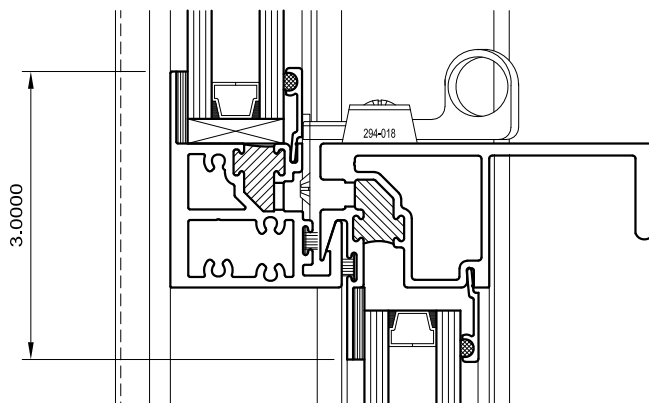


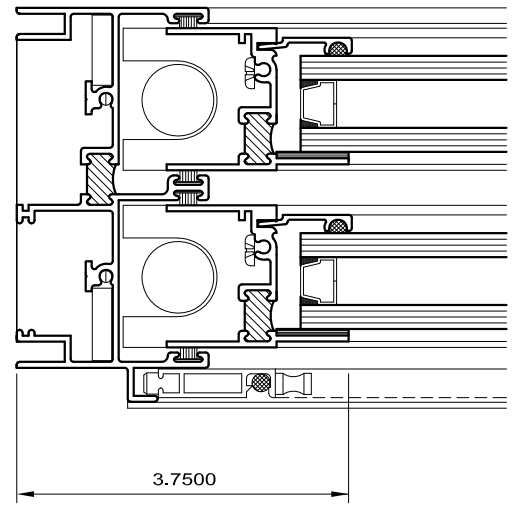
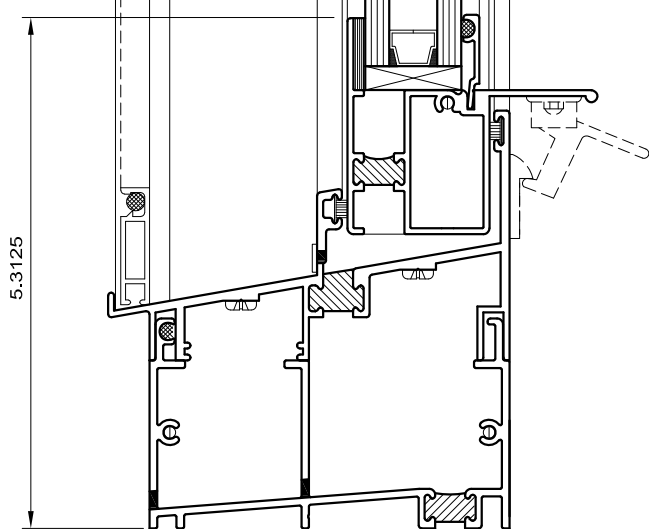
1 HEAD



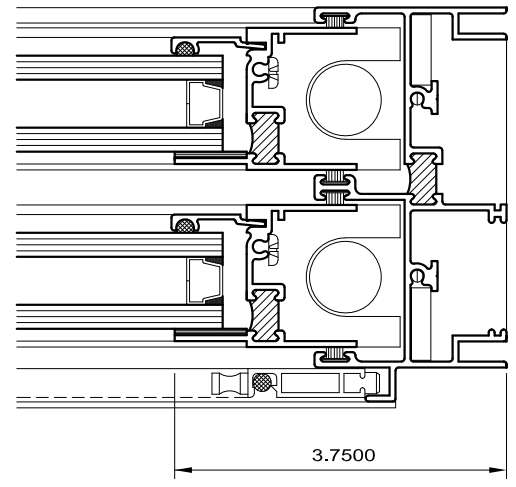
2 INTERLOCK



3 SILL



4 LEFT JAMB



5 RIGHT JAMB


Litex
 ARCHITECTURAL WINDOW SYSTEMS

2774 PRODUCT DR.
 ROCHESTER HILLS, MICHIGAN 48309
 (248)852-0661 FAX (248)852-0095
 ONLINE: www.Litex.com

JOB NAME: L700T HD DOUBLE-HUNG	DWN. BY:	DWG. NO.	SHEET
CUSTOMER:	SCALE: HALF SIZE		OF