

1 HEAD

2.7500

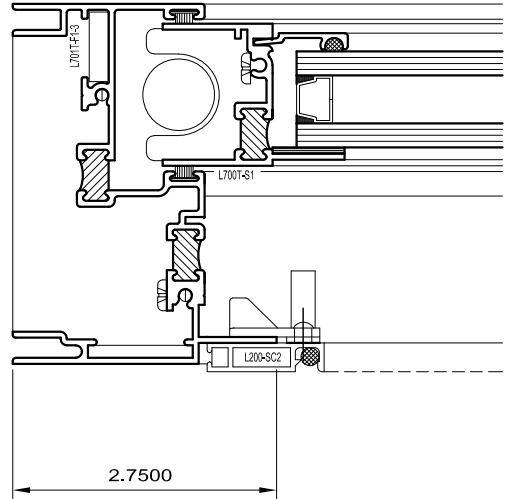
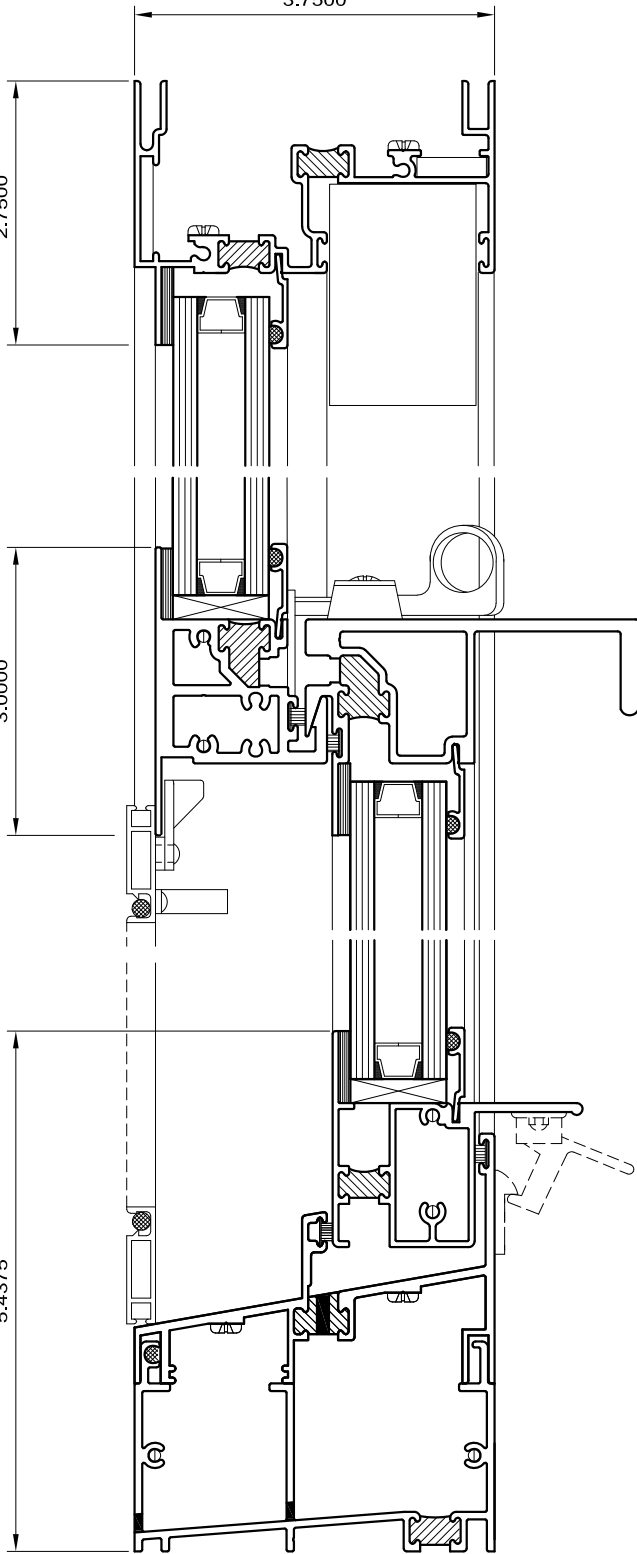
3.7500

2 INTERLOCK

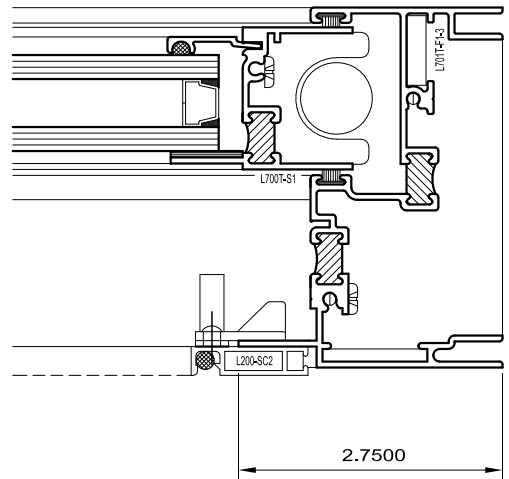
3.0000

3 SILL

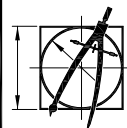
5.4375



4 LEFT JAMB



5 RIGHT JAMB



Litex
ARCHITECTURAL WINDOW SYSTEMS

2774 PRODUCT DR.
ROCHESTER HILLS, MICHIGAN 48309
(248)852-0661 FAX (248)852-0095
ONLINE: www.Litex.com

JOB NAME: L701T HD SINGLE-HUNG

DWN. BY:

DWG. NO.

SHEET

CUSTOMER:

SCALE: HALF SIZE

OF