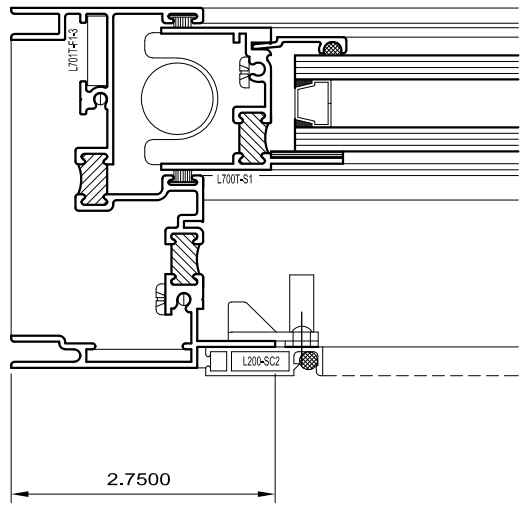
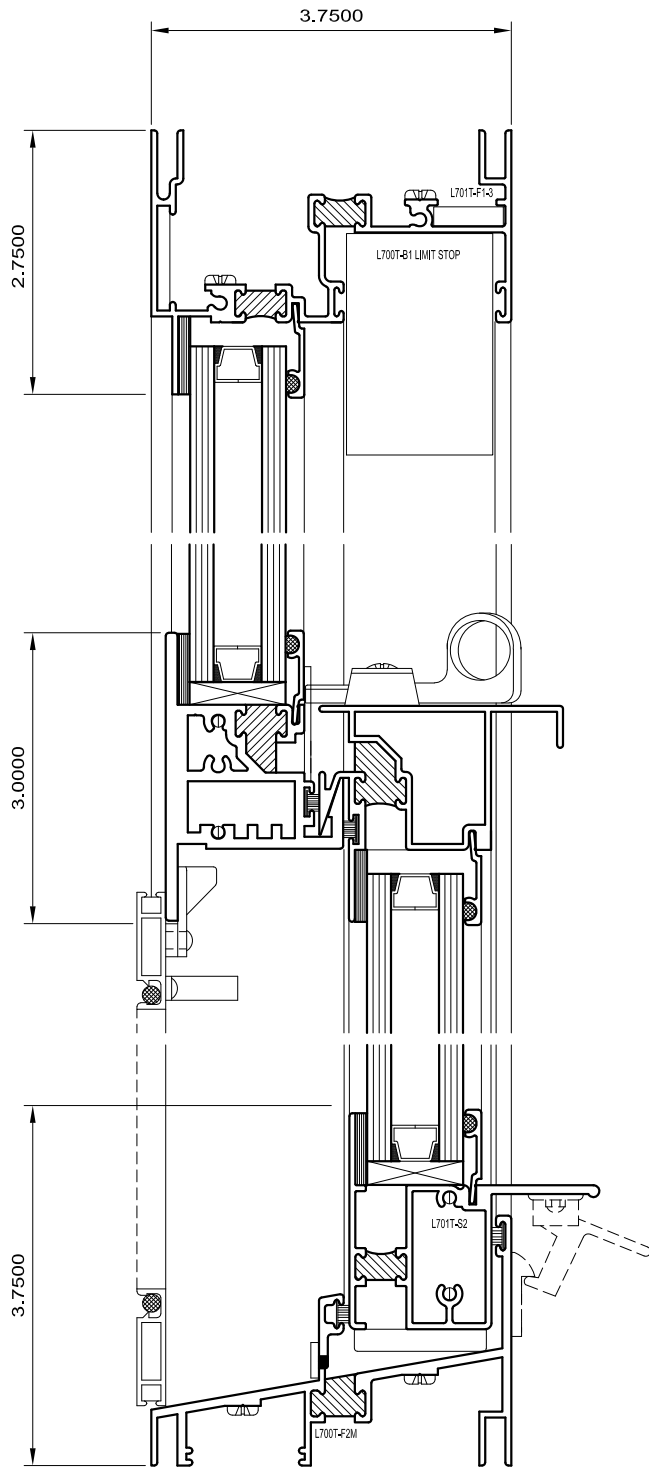


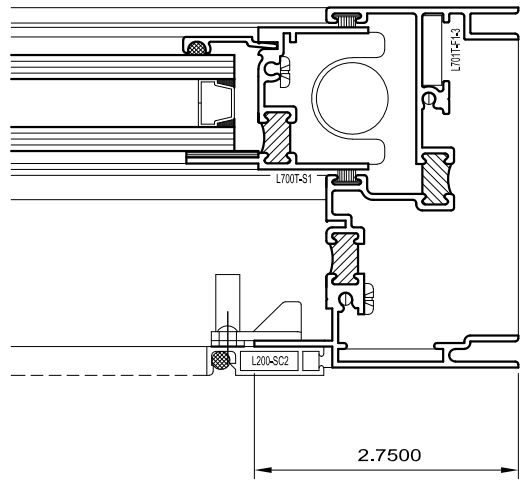
1 HEAD

2 INTERLOCK

3 SILL



4 LEFT JAMB



5 RIGHT JAMB



**Litex**  
ARCHITECTURAL WINDOW SYSTEMS

2774 PRODUCT DR.  
ROCHESTER HILLS, MICHIGAN 48309  
(248)852-0661 FAX (248)852-0095  
ONLINE: [www.Litex.com](http://www.Litex.com)

JOB NAME: L701T STANDARD SINGLE-HUNG	DWN. BY:	DWG. NO.	SHEET OF
CUSTOMER:	SCALE: HALF SIZE		