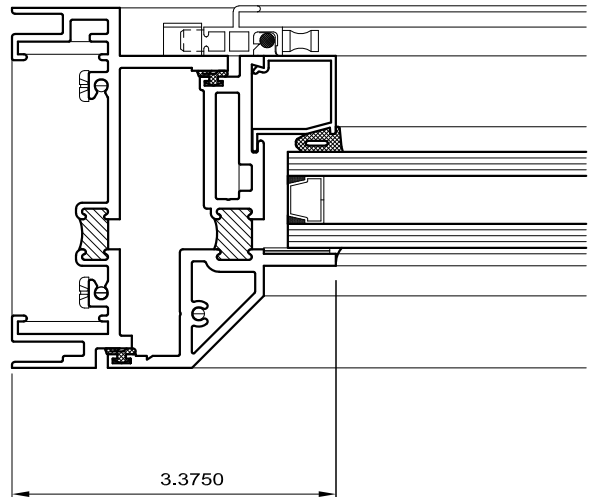
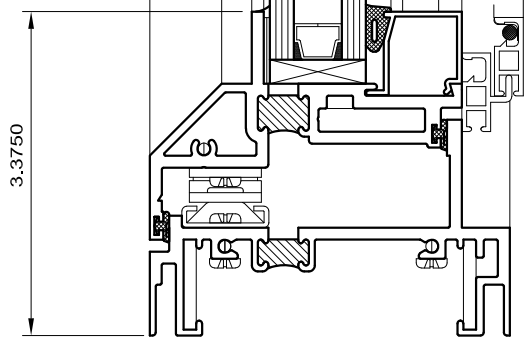
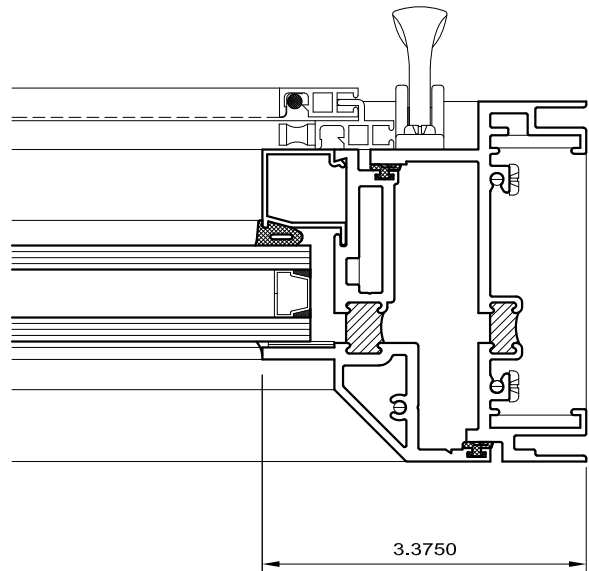


1  
HEAD

2  
SILL



3 LEFT JAMB



4 RIGHT JAMB

	<b>Litex</b> ARCHITECTURAL WINDOW SYSTEMS	2774 PRODUCT DR. ROCHESTER HILLS, MICHIGAN 48309 (248)852-0661 FAX (248)852-0095 ONLINE: <a href="http://www.Litex.com">www.Litex.com</a>	
		DWN. BY:	DWG. NO.

JOB NAME: L900PC CASEMENT
CUSTOMER:

SCALE: HALF SIZE
------------------

DWG. NO.	SHEET OF
----------	----------