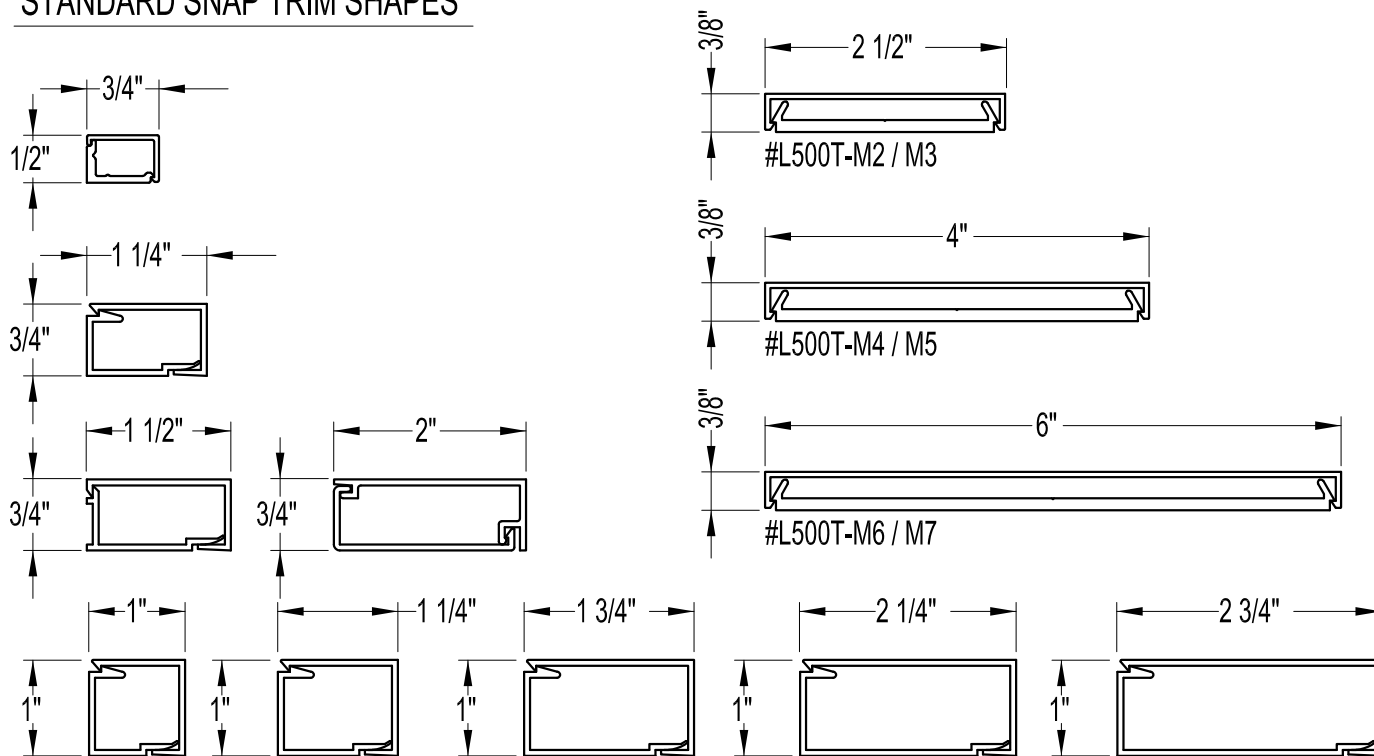
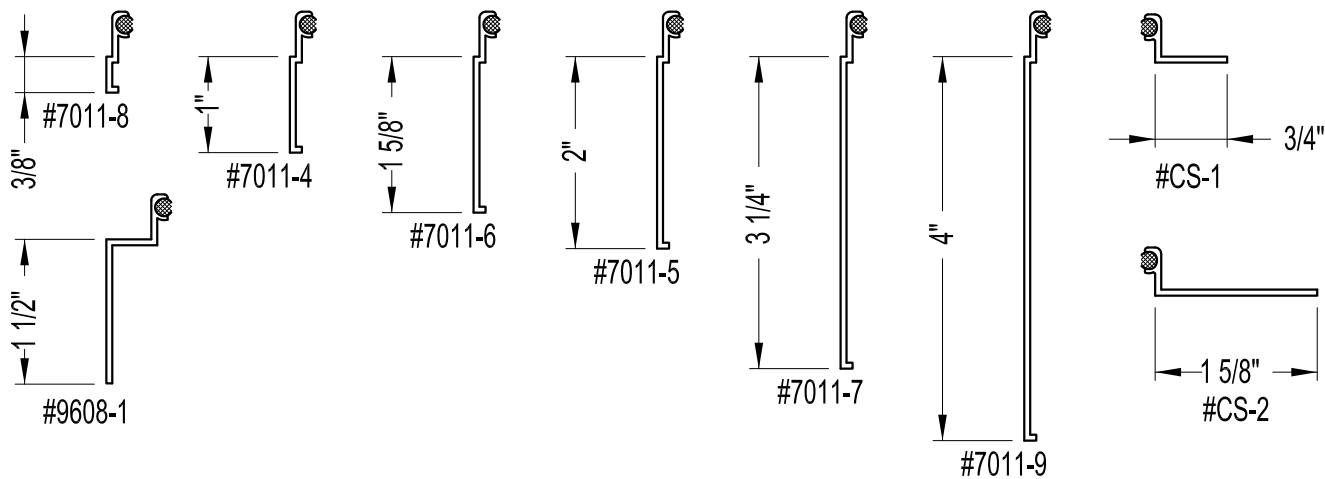


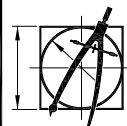
STANDARD SNAP TRIM SHAPES



STANDARD FRAME EXTENDERS



STANDARD ANCHOR STRAPS



Litex
ARCHITECTURAL WINDOW SYSTEMS

2774 PRODUCT DR.
ROCHESTER HILLS, MICHIGAN 48309
(248)852-0661 FAX (248)852-0095
ONLINE: www.Litex.com

JOB NAME: WINDOW ACCESSORIES	DWN. BY:	DWG. NO.	SHEET OF
CUSTOMER:	SCALE: HALF SIZE		