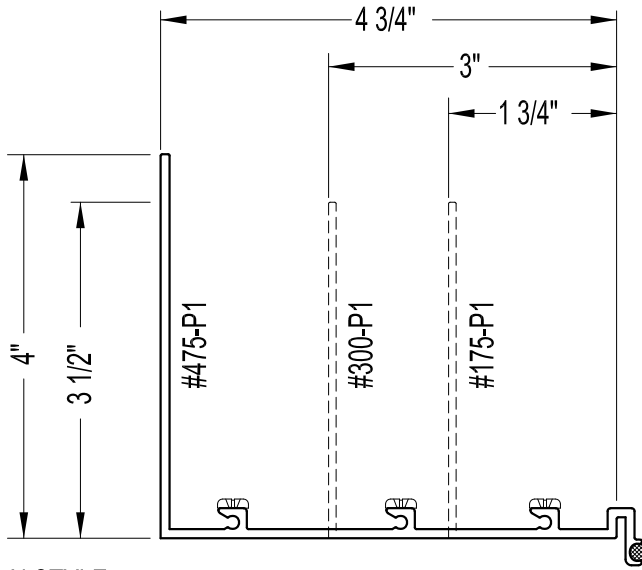
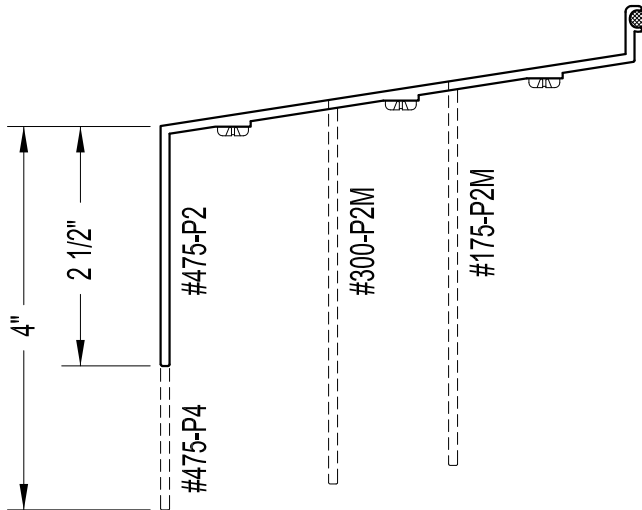
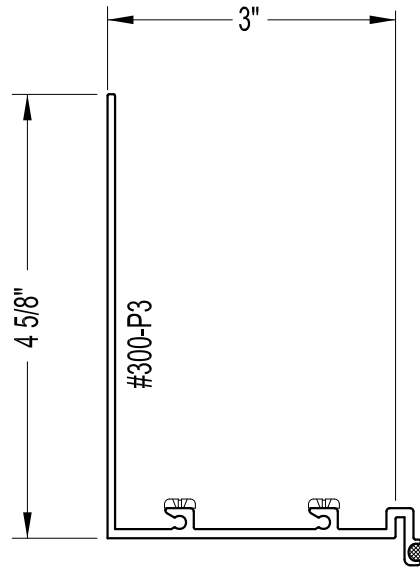


STANDARD PANNING SYSTEMS - KEY-IN STYLE

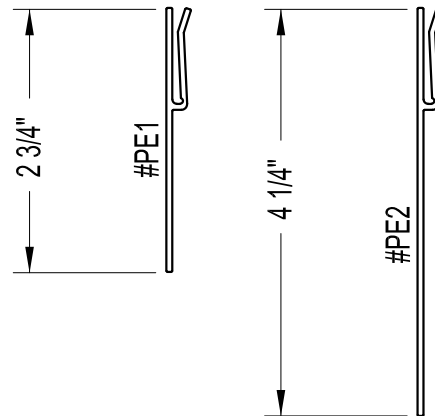
DUE TO THE VARIOUS SIZES AND SHAPES, PLEASE CONTACT LITEX FOR AVAILABILITY OF PANNING SYSTEMS



KEY-IN STYLE
HEAD AND JAMB PANNING

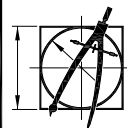


KEY-IN STYLE
SILL PANNING



PANNING EXTENDERS

PANNING SYSTEMS ARE CONSTANTLY BEING DESIGNED, NOT ALL PANNING SYSTEMS ARE SHOWN IN THIS BOOK. PLEASE CONTACT LITEX FOR SYSTEMS NOT SHOWN HERE.



Litex
ARCHITECTURAL WINDOW SYSTEMS

2774 PRODUCT DR.
ROCHESTER HILLS, MICHIGAN 48309
(248)852-0661 FAX (248)852-0095
ONLINE: www.Litex.com

JOB NAME: PANNING - KEY-IN STYLE	DWN. BY:	DWG. NO.	SHEET OF
CUSTOMER:	SCALE: HALF SIZE		