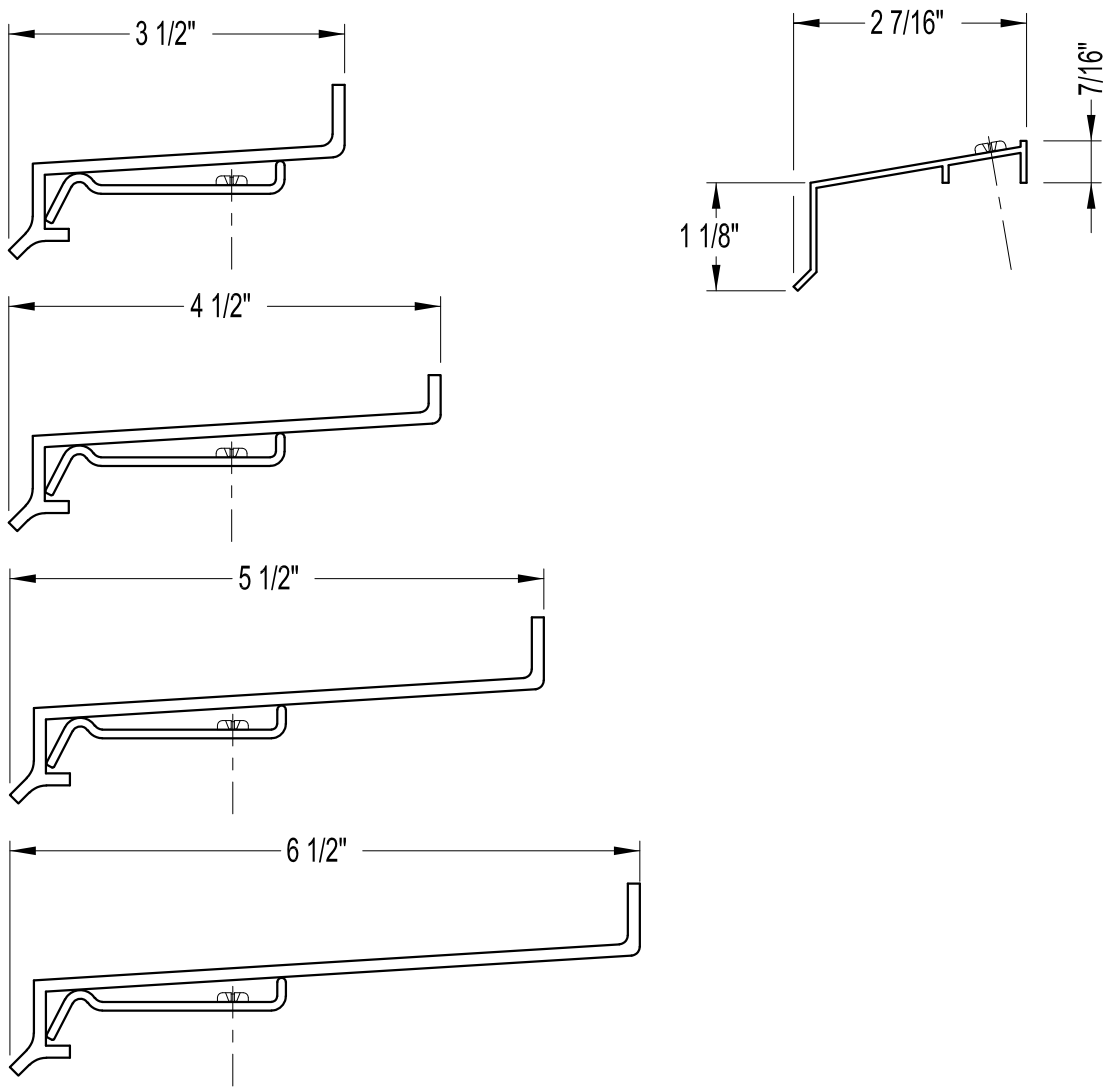


STANDARD SILL SHAPES



	Litex <small>ARCHITECTURAL WINDOW SYSTEMS</small>	2774 PRODUCT DR. ROCHESTER HILLS, MICHIGAN 48309 (248)852-0661 FAX (248)852-0095 ONLINE: www.Litex.com	
		JOB NAME: WINDOW ACCESSORIES	DWN. BY:

CUSTOMER:	SCALE: HALF SIZE	DWG. NO.	SHEET OF
-----------	------------------	----------	----------